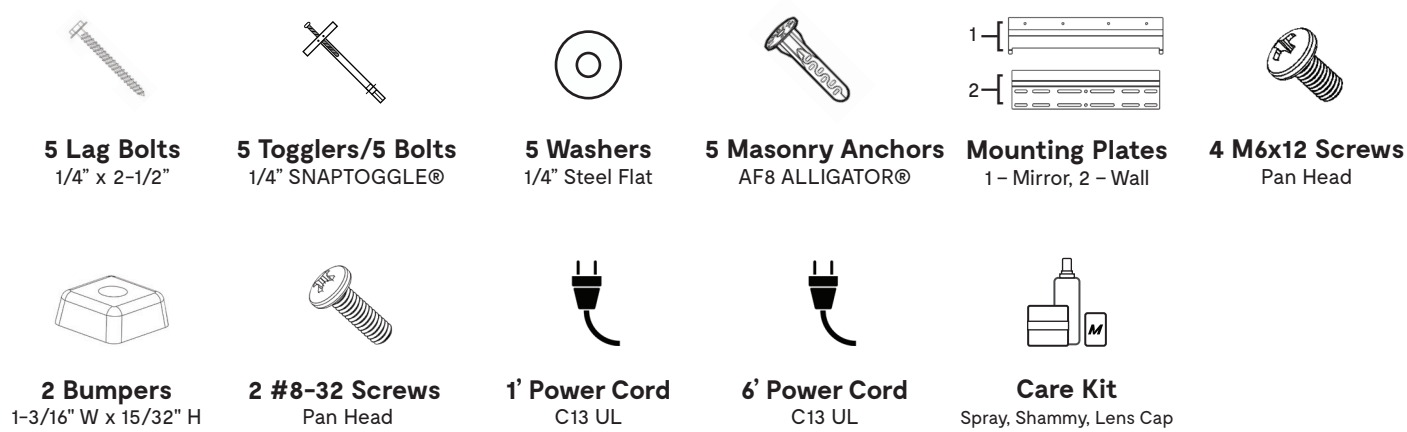


MIRROR

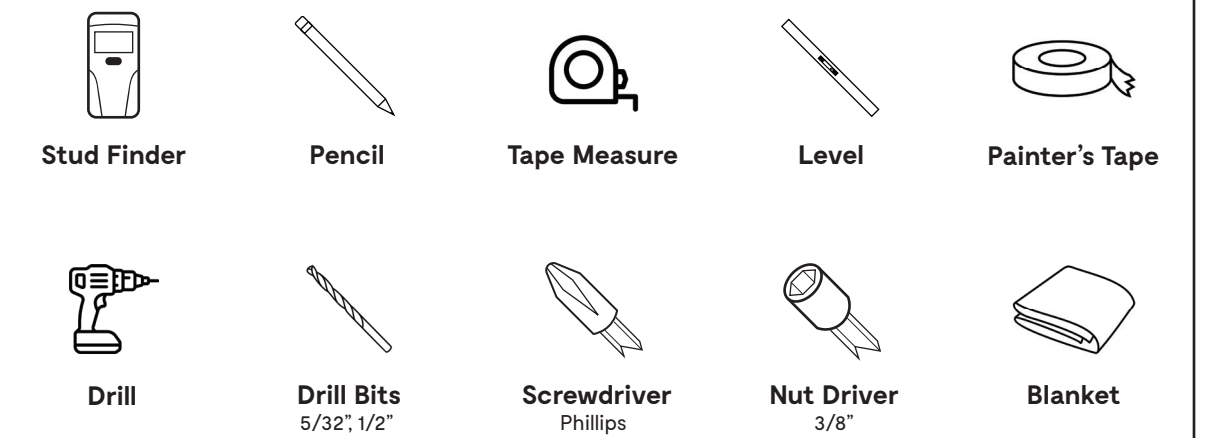
Wall Installation Template: STUD/DRYWALL

See reverse for template to be used with masonry.

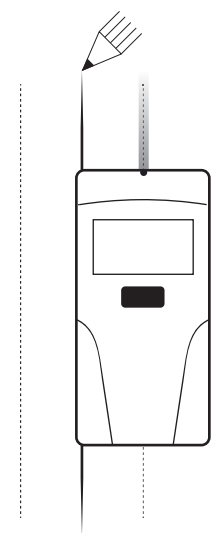
Included Pieces:



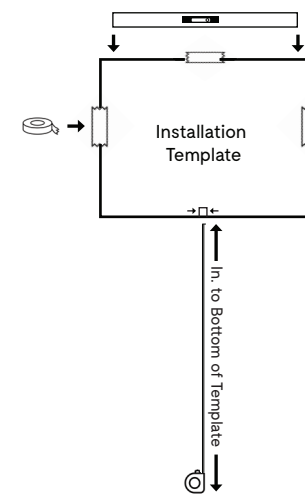
Necessary Tools:



1 **Locate stud.** Select a location for the Mirror within 6' of an outlet. Using the **stud finder**, find one stud to which you want to attach the wall mount. Mark the left & right side of it with **pencil**, then determine the stud's center & mark vertically.

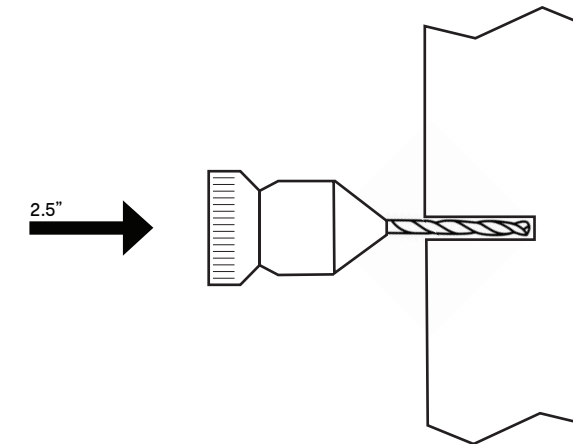


2 **Hang template.** Use table to determine how high to hang, **measure** up from floor, and mark wall with **pencil**. If there are 2+ users, use the average of their heights. Align square at bottom of template with mark, check alignment with **level**, then **tape** firmly in place.

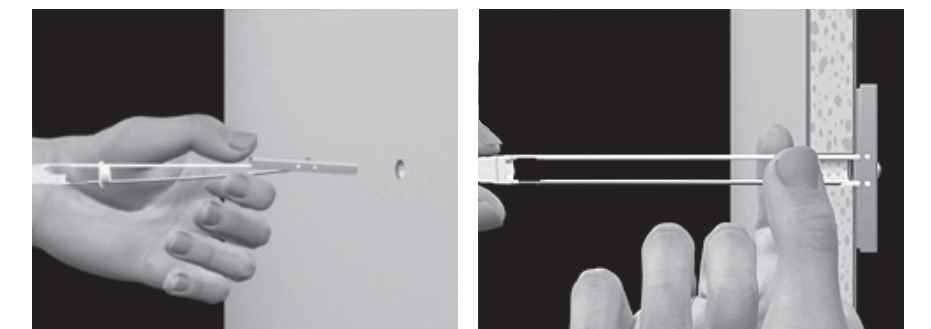


User Height	Floor to Bottom of Template	Floor to Bottom of Mirror
< 4'11"	48"	11"
5'0"-5'5"	52"	15"
5'6"-5'11"	57"	20"
6'0"-6'5"	62"	25"
> 6'6"	66"	29"

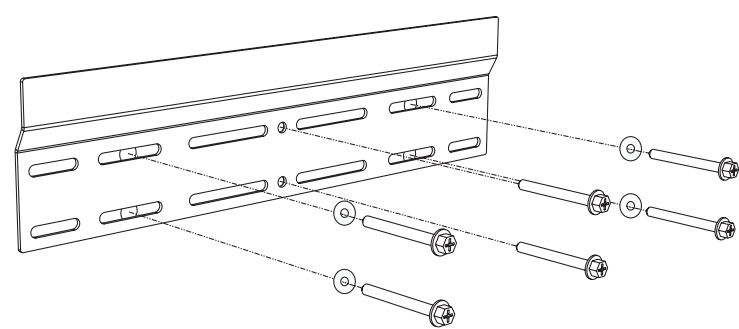
3 **Drill pilot holes.** Position the lid of shipper box under the template to catch drilling debris. Use **drill** and **5/32" drill bit** to make 2.5" deep holes in circles 1 and 2 on the template. Use the **1/2" drill bit** to make one hole each in areas **A, B, C** and **D**. Each hole should be fully through the drywall (~1/2"). If an error renders a hole unusable, drill a comparable hole in the same area or move the template horizontally.



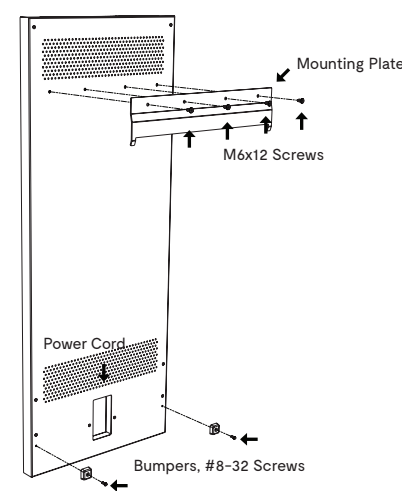
4 **Insert SNAPTOGGLES®.** Install one toggle each in holes A-D. Hold metal end of **SNAPTOGGLE®** parallel to straps, slide through pilot hole. Pinch grip at end of straps and pull towards you until metal rests flush behind wall. Slide plastic cap down until lip is flush with wall. Snap straps off at wall by pushing them side to side.



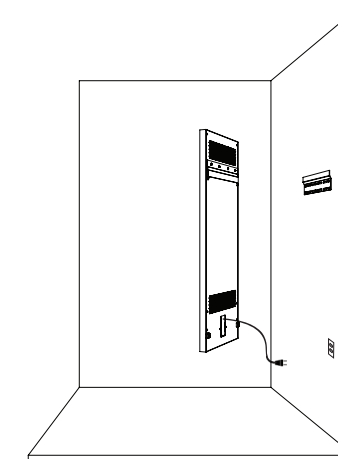
5 **Secure the wall plate.** Place wall mounting plate in the orientation shown. Place **washers** over the **SNAPTOGGLES®**, insert **SNAPTOGGLE® bolts** into holes A-D, **lag bolts** into holes 1-2. Screw toggles halfway in with the **Phillips screwdriver** and the lag bolts halfway with the **3/8" nut driver**. Use the **level** to ensure the plate is straight, then tighten all bolts completely.



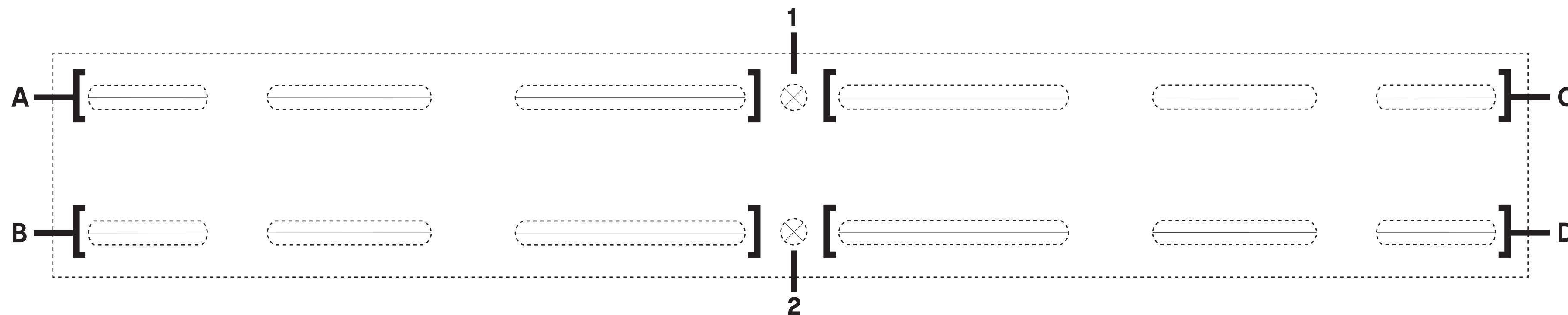
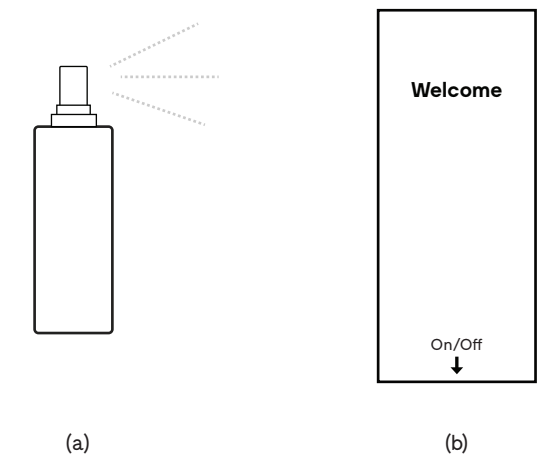
6 **Prepare the Mirror.** Gently place the Mirror facedown on **blanket**. Attach **Mirror mounting plate** to the Mirror in the orientation shown using the **Phillips screwdriver** and the **M6x12 pan head screws**. Install bumpers with **#8-32 pan head screws**.



7 **Insert power cord and hang the Mirror.** Select the shortest possible **power cord** given the Mirror's distance from outlet. Insert the power cord into the Mirror and hide excess cable length. Lift the **mounting plate** on the Mirror over the **wall plate**. Adjust Mirror horizontally to reach ideal position. Ensure placement is secure and Mirror is parallel to wall. Plug the power cord into an outlet.



8 **Clean and test.** Only clean Mirror with provided tools. Spray the Mirror 3 times with **cleaning spray** (a), wipe with **shammy**, and return both to **Care Kit**. Clear drilling debris. Turn the Mirror on using switch on bottom and check for set up screen (b). Do not turn off. Take with you all packaging besides the Care Kit.



USE THESE INSTRUCTIONS EXACTLY AS WRITTEN.

If you do not install the Mirror according to these exact instructions, the Mirror warranty will be voided and you assume all liability for product use. To view the Mirror warranty, visit MIRROR.CO/WELCOME. To request a physical copy, call the number below. Any changes or modifications not expressly approved by Curiouser Products Inc. could void your authorization to operate this device.

Get in touch with MIRROR:
P: 888-445-3653
E: hello@mirror.co